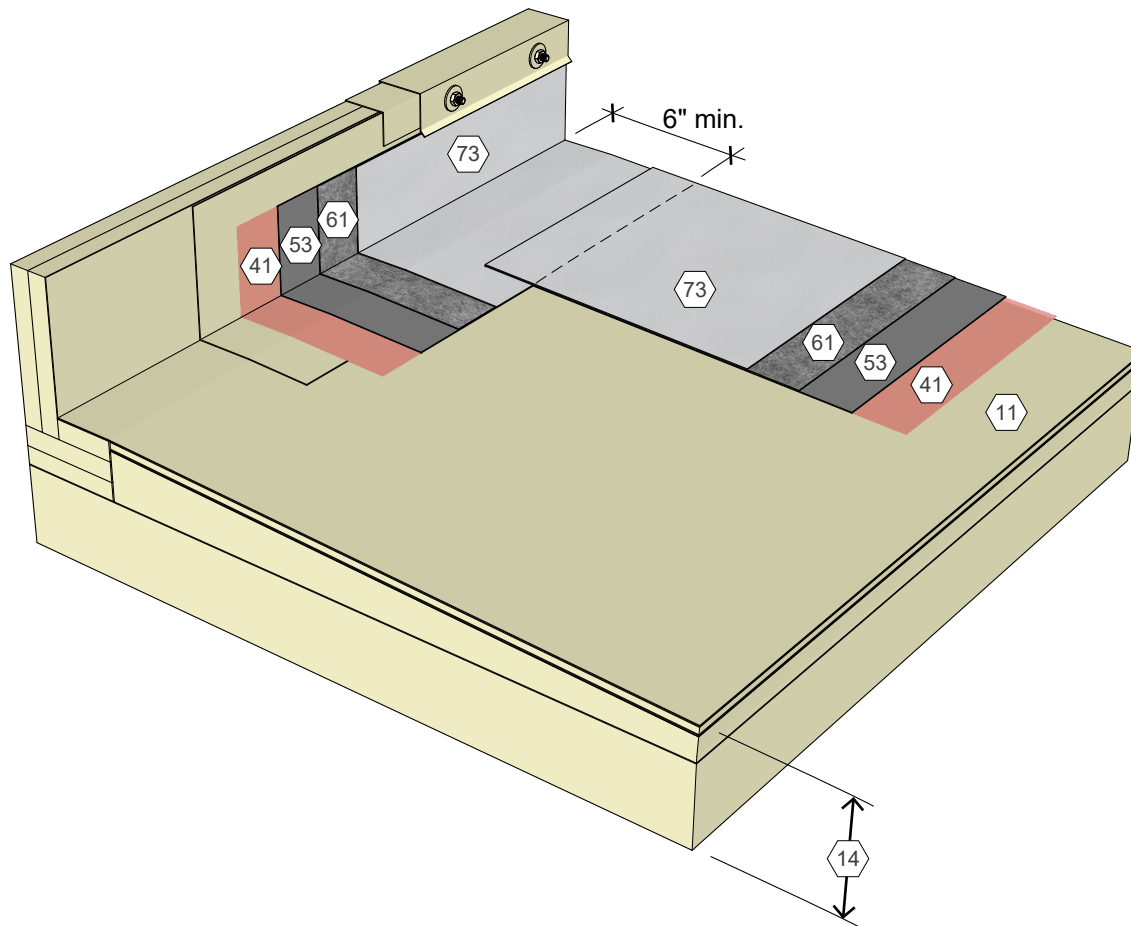
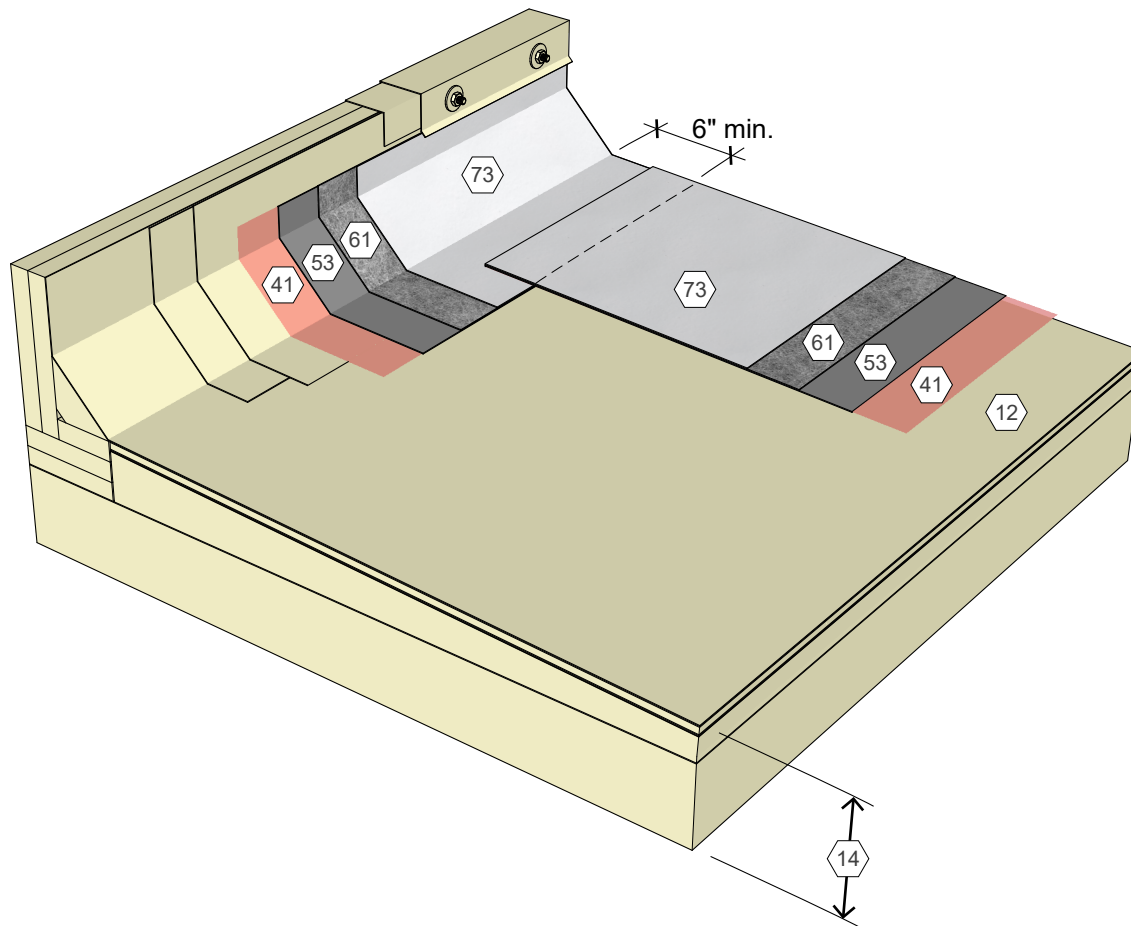


### KEY NOTES

- 11 Existing Single-Ply Membrane
- 14 Existing Structural Deck and Insulation Assembly
- 41 Approved Primer
- 53 AlphaGuard PUMA Base Coat
- 61 AlphaGuard Glass Mat or Permafab
- 73 AlphaGuard PUMA Top Coat



AlphaGuard® PUMA Restoration Detail, Single-Ply, Wood Curb  
Detail 14131



### KEY NOTES

- ⑫ Existing MB or Smooth BUR
- ⑭ Existing Structural Deck and Insulation Assembly
- ④① Approved Primer
- ⑤③ AlphaGuard PUMA Base Coat
- ⑥① AlphaGuard Glass Mat or Permafab
- ⑦③ AlphaGuard PUMA Top Coat

AlphaGuard® PUMA Restoration Detail, MB or Smooth BUR, Wood Curb  
 Detail 14132